

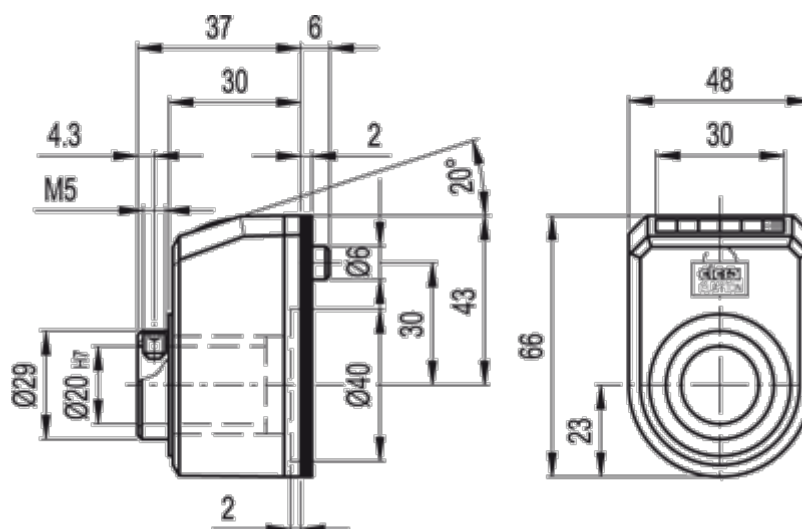
# Data Sheet



Article number: 2307083654

Description: E+G Direct drive position indikator  
DD52R-FR-0001.0-S-C2 (Orange)

## Measures



Max rpm = 1500